

# The Power of Excellence

PRESTOLITE ELECTRIC HEAVY DUTY SYSTEMS  
A DIVISION OF PRESTOLITE ELECTRIC INC.

[www.prestolite.com](http://www.prestolite.com)

## Prestolite Electric

Unit 48 The Metropolitan Park  
12-16 Bristol Road  
Greenford  
Middlesex UB6 8UP

Phone: 020 8231 1000  
Fax: 020 8575 9575

PG-4001 7/05

**Prestolite**  
*electric*  
HEAVY DUTY SYSTEMS

a division of  
Prestolite Electric, Inc.

## The Handraulic® Starting System



The Starting  
System that  
requires no  
external power  
source

## The Global Power

# The Handraulic® Starting System

## Description

The Prestolite “Handraulic” is a hydraulic starting system for diesel engines of 70-160mm bore size, usually irrespective of the number of cylinders. The system operates by way of the free end of the engine crankshaft as an emergency back up to the electric start system or as a prime means of starting in a hazardous environment.

Only two models, B35 and B50, are required to cover the engine bore size range.

## Operation

Fluid is pumped from a feed tank to the underside of a piston in a pre-charged nitrogen filled accumulator until the working pressure of 293 bar is achieved. Operation of the lever releases the pressurised fluid to the rack and pinion operated starter unit. The pinion engages with an engine dog and rotates the crankshaft at high speed to enable engine starting.

## Design Features

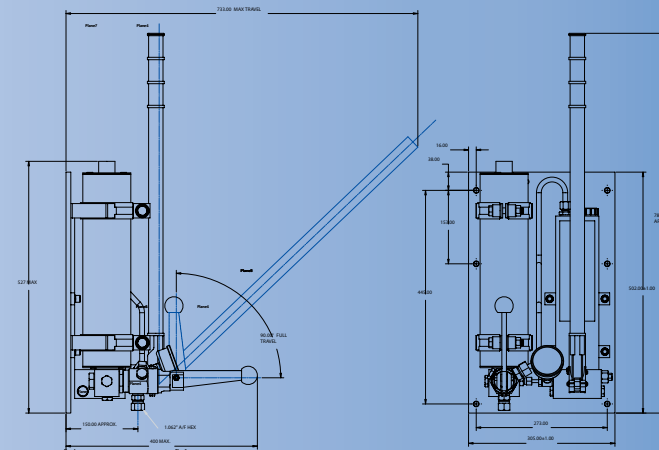
Working pressure – Nominal	293 bar (4250 PSI)
Rotation	Clockwise (viewed from front cover)
Mounting	*By way of free end of engine
Drive	Pinion and engine dog
Working pressure – Max	345 bar (5000 PSI)
Lock Torque – Max	2264 Nm
System Weight – Max	60 kg
Temperature range	-30°C to + 50°C

## Mounting

A dog is attached to the engine crankshaft using an adaptor\*. The starter is mounted on a bracket,\* attached to the engine or its bearers.

The hand pump, accumulator, feed tank, pressure gauge and relay valve are all supplied mounted to a panel. Sufficient pipework is supplied to connect starter and panel.

\* For details of typical dimensions, separate technical data sheets are available.



**Prestolite**  
electric

**Setting the standard.....  
Again**